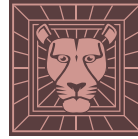


60"D

JAMES MARTIN



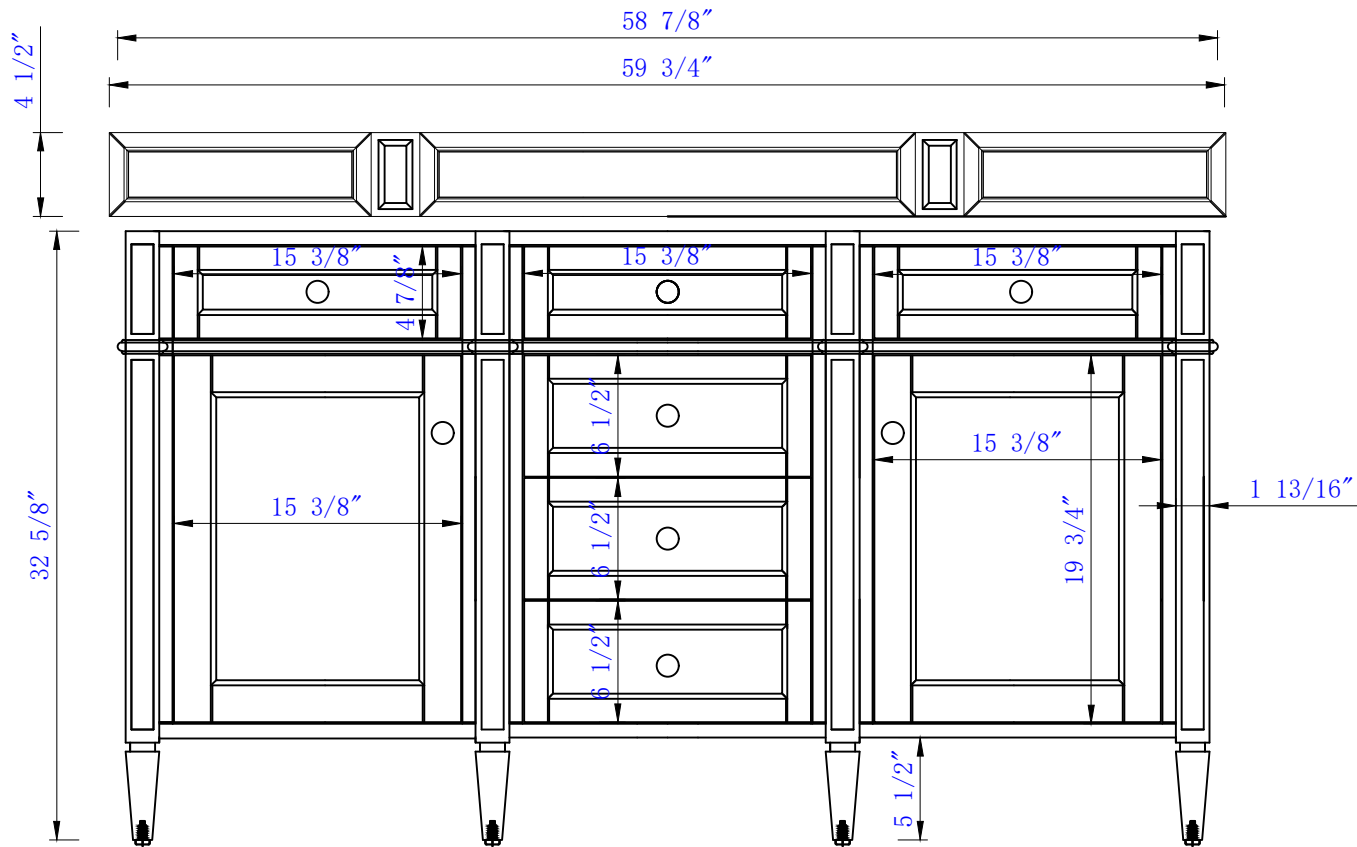
VANITIES™

Brittany 60" Double Vanity Cabinet

Diagrams with Dimensions

page 01 of 03

Item Number:
650-V60D-BKO
650-V60D-BNM
650-V60D-BW
650-V60D-SBR
650-V60D-UGR
650-V60D-VBL



NOTE ONE: Countertops are not shown in these diagrams .(Cabinet Only)

NOTE TWO: Wood Backsplash (Shown) is designed for the molding detail to align with sinks in James Martin's Optional Countertops.

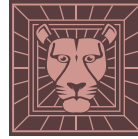
Customers' own countertops and sinks may align differently.

Please consult our website for Countertop Diagrams: www.jamesmartinvanities.com

Version:202107

60"D

JAMES MARTIN



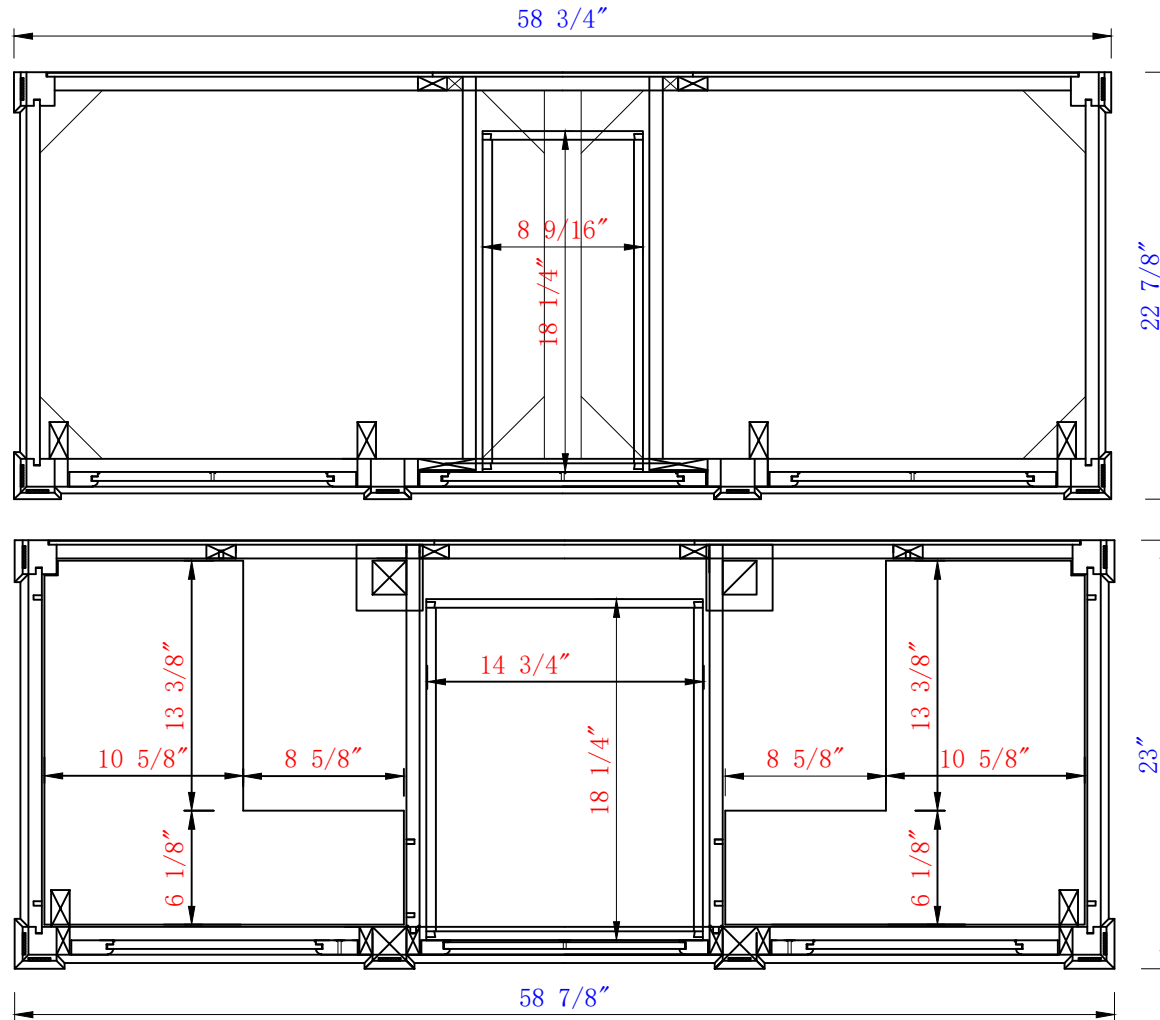
VANITIES™

Brittany 60" Double Vanity Cabinet

Diagrams with Dimensions

page 02 of 03

Item Number:
650-V60D-BKO
650-V60D-BNM
650-V60D-BW
650-V60D-SBR
650-V60D-UGR
650-V60D-VBL



NOTE ONE: Countertops are not shown in these diagrams .(Cabinet Only)

NOTE TWO: Internal Shelves (Shown) are designed to align with sinks in James Martin's Optional Countertops. Customers' own countertops and sinks may align differently, and modification may be required. Please consult our website for Countertop Diagrams: www.jamesmartinvanities.com

60"D

Item Number:
650-V60D-BKO
650-V60D-BNM
650-V60D-BW
650-V60D-SBR
650-V60D-UGR
650-V60D-VBL

JAMES MARTIN

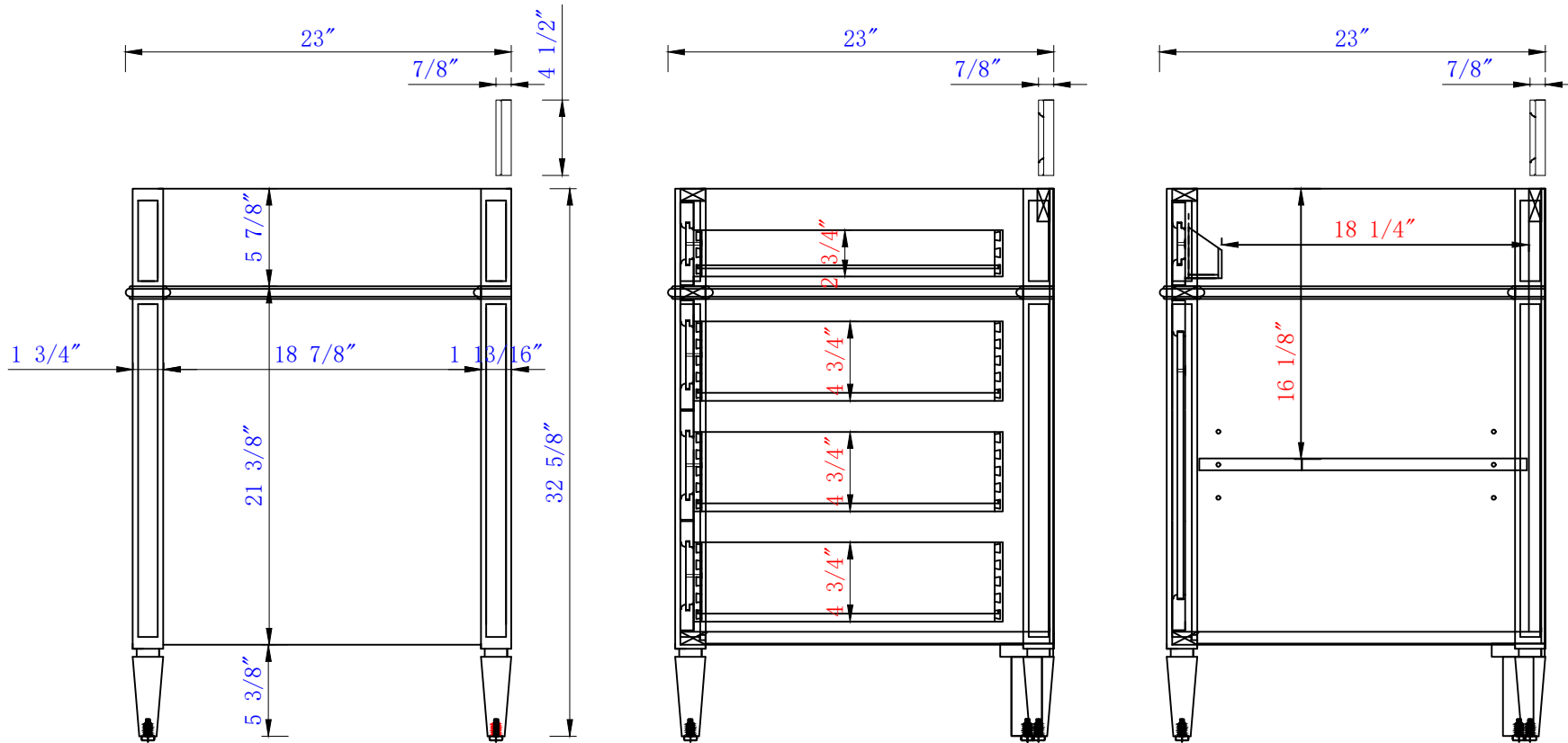


VANITIES™

Brittany 60" Double Vanity Cabinet

Diagrams with Dimensions

page 03 of 03



NOTE ONE: Countertops are not shown in these diagrams .(Cabinet Only)

NOTE TWO: Wood Backsplash (Shown) is designed for the molding detail to align with sinks in James Martin's Optional Countertops.

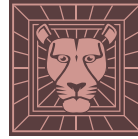
Customers' own countertops and sinks may align differently.

Please consult our website for Countertop Diagrams: www.jamesmartinvanities.com

Version:202107

1524mm

JAMES MARTIN



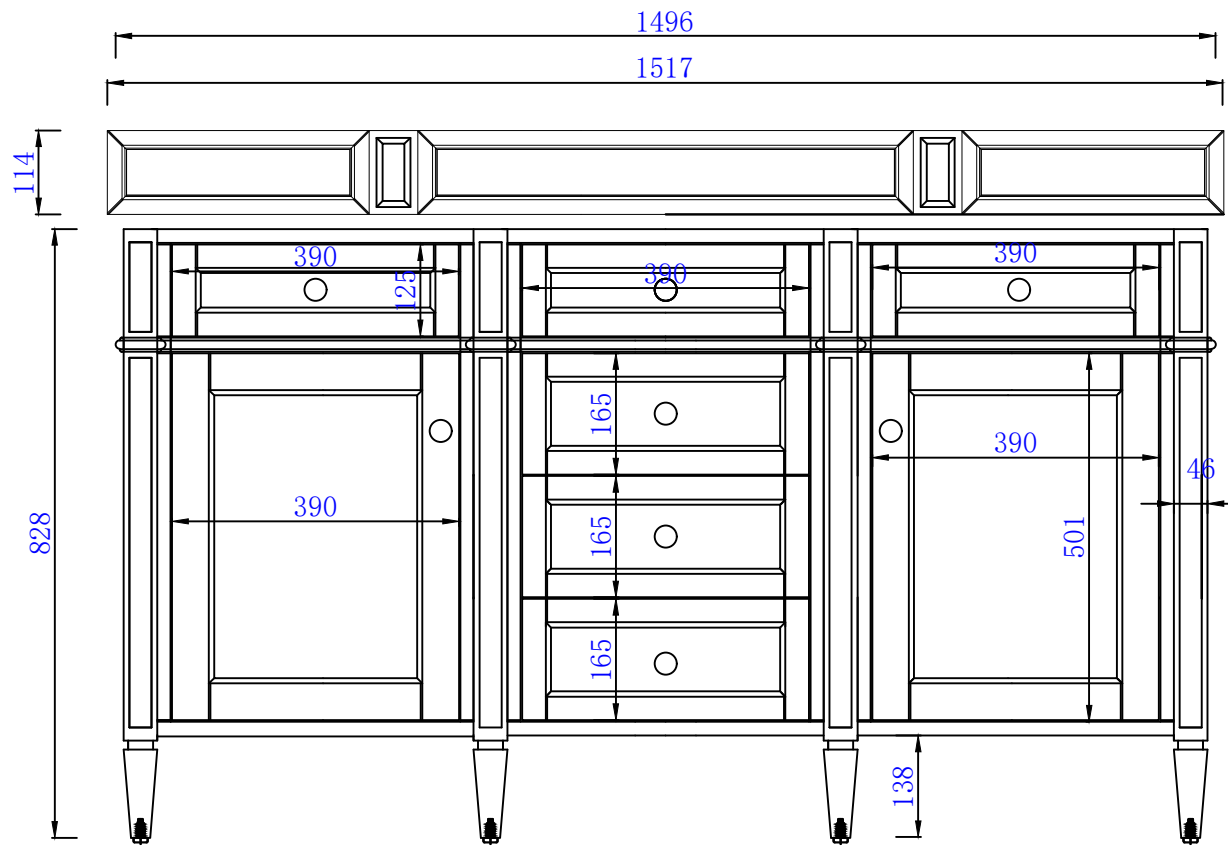
VANITIES™

Brittany 1524mm Double Vanity Cabinet

Diagrams with Dimensions

page 01 of 03

Item Number:
650-V60D-BKO
650-V60D-BNM
650-V60D-BW
650-V60D-SBR
650-V60D-UGR
650-V60D-VBL



NOTE ONE: Countertops are not shown in these diagrams .(Cabinet Only)

NOTE TWO: Wood Backsplash (Shown) is designed for the molding detail to align with sinks in James Martin's Optional Countertops.

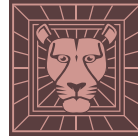
Customers' own countertops and sinks may align differently.

Please consult our website for Countertop Diagrams: www.jamesmartinvanities.com

Version:202107

1524mm

JAMES MARTIN



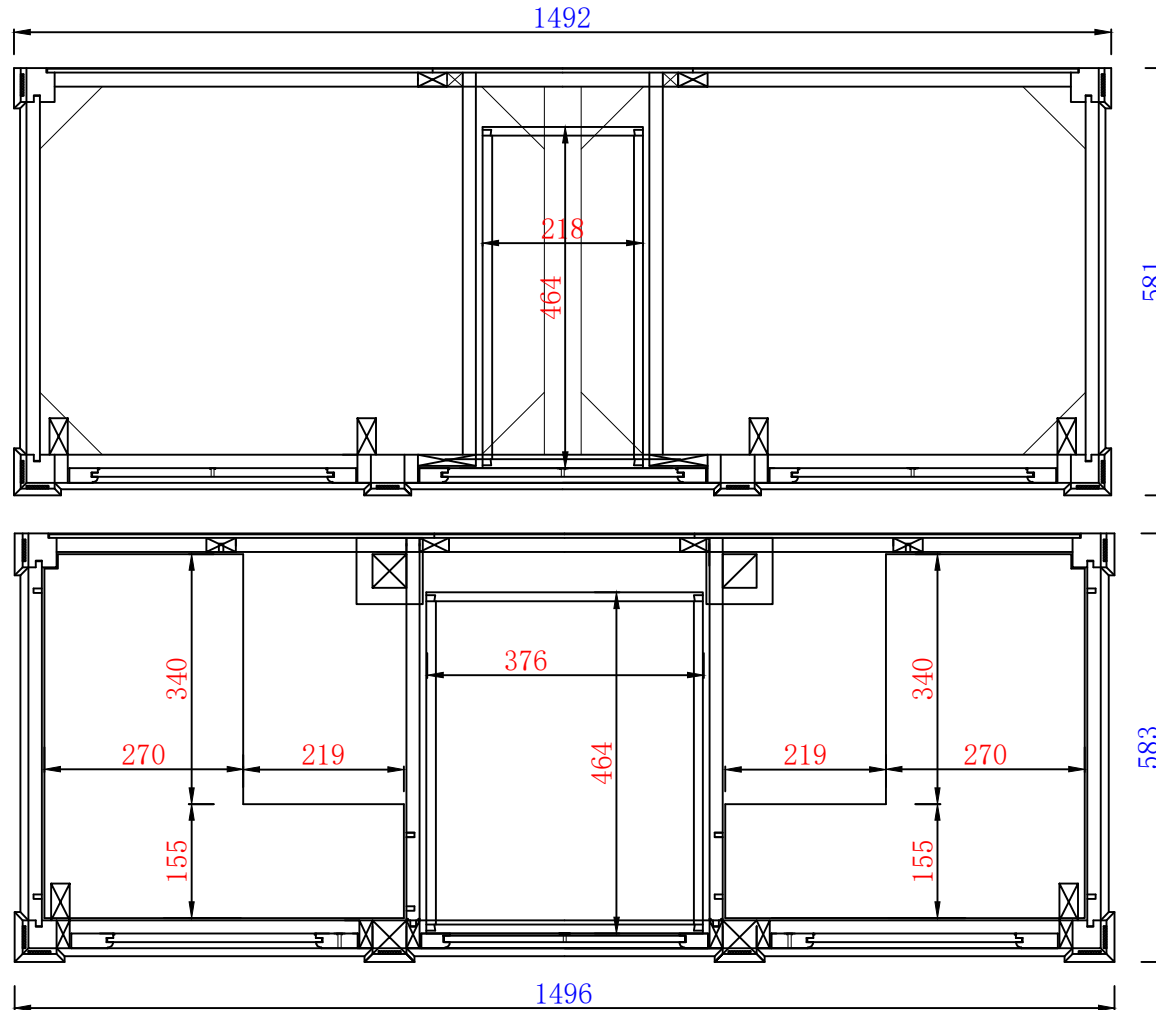
VANITIES™

Brittany 1524mm Double Vanity Cabinet

Diagrams with Dimensions

page 02 of 03

Item Number:
650-V60D-BKO
650-V60D-BNM
650-V60D-BW
650-V60D-SBR
650-V60D-UGR
650-V60D-VBL



NOTE ONE: Countertops are not shown in these diagrams .(Cabinet Only)

NOTE TWO: Internal Shelves (Shown) are designed to align with sinks in James Martin's Optional Countertops.

Customers' own countertops and sinks may align differently, and modification may be required.

Please consult our website for Countertop Diagrams: www.jamesmartinvanities.com

Version:202107

1524mm

JAMES MARTIN



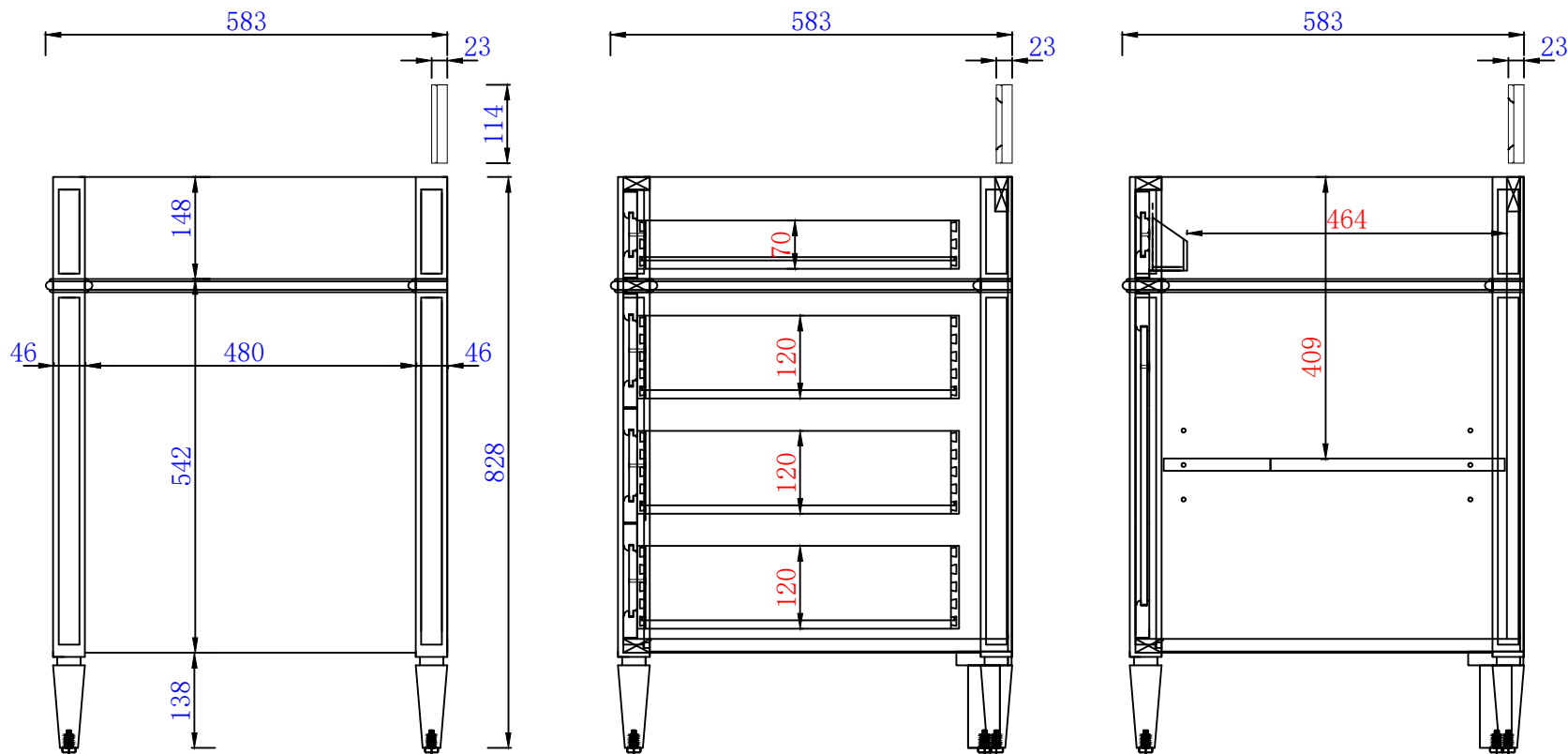
VANITIES™

Brittany 1524mm Double Vanity Cabinet

Diagrams with Dimensions

page 03 of 03

Item Number:
650-V60D-BKO
650-V60D-BNM
650-V60D-BW
650-V60D-SBR
650-V60D-UGR
650-V60D-VBL



NOTE ONE: Countertops are not shown in these diagrams .(Cabinet Only)

NOTE TWO: Wood Backsplash (Shown) is designed for the molding detail to align with sinks in James Martin's Optional Countertops.

Customers' own countertops and sinks may align differently.

Please consult our website for Countertop Diagrams: www.jamesmartinvanities.com

Version:202107